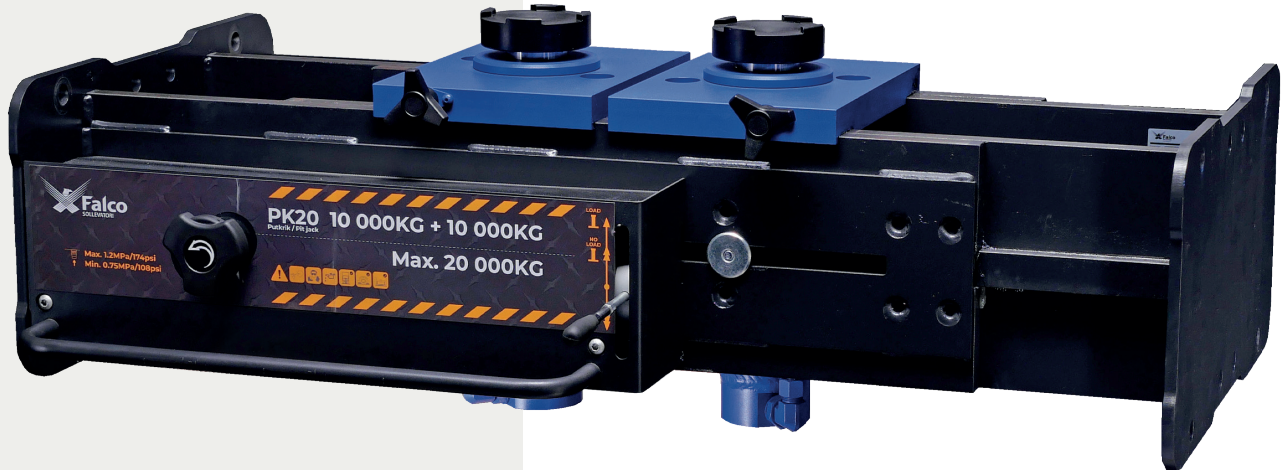




Pit jack 20 000 kg PK20



- Built in air pump
- Dual pump lifting system
- 2 lowering speeds
- Integrated air hydraulic pump
- Modular system

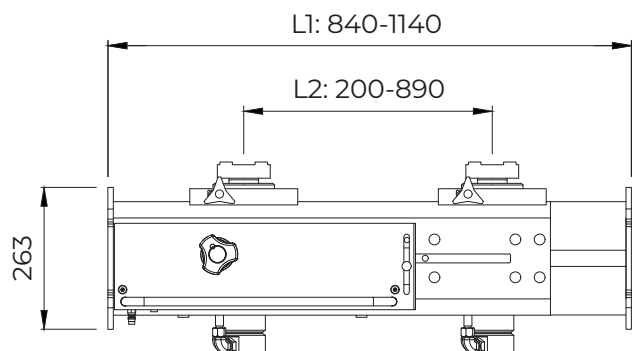
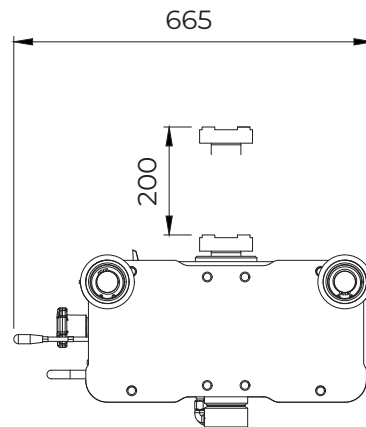


Technical specifications

Capacity	20 000 kg
Required air pressure	7.5 t/m 12 Bar
Stroke	200 mm
Min. Height	356 mm
Max. Height	556 mm
Width	840 tot 1140 mm
Depth	665 mm
Weight	265 kg

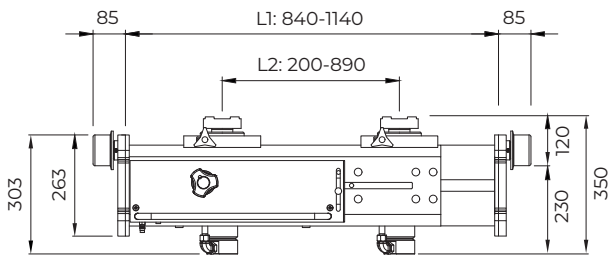
NB! The pit jack is supplied without adapter plates! See back cover for more information.

Dimensions

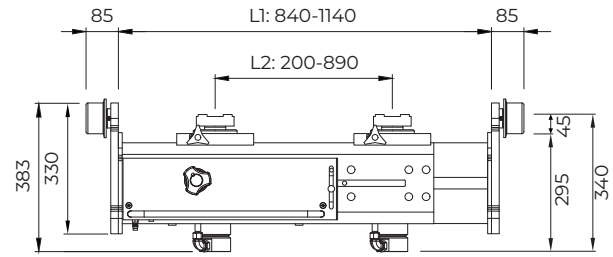


Selecting the adapter plates

Use the dimensional drawing below to determine which adapter plates are most suitable.



Pit jack dimensions with short adapter plates



Pit jack dimensions with long adapter plates

Rail

Determine the type of adapter plate wheels based on the rail.

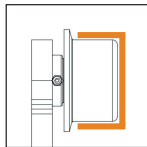


Cylindrical rail



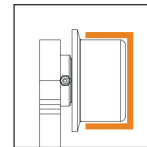
Conical rail

PK01A Short plate cylindrical wheels



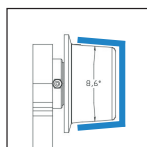
Cylindrical wheel

PK02A Long plate cylindrical wheels



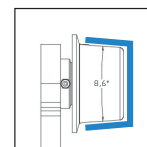
Cylindrical wheel

PK03A Short plate conical wheels



Conical wheel

PK04A Long plate conical wheels



Conical wheel