

**TYPE**  
LT1200EA



**Please read this manual carefully  
before using the Battery Dismantling  
Lift Table.**



# Index

# Page

1.	Symbols safety label	3
2.	General	4
3.	Safety instructions	4
4.	Assembly	5
5.	Use	5
6.	Maintenance	6
7.	Specifications	7
8.	Parts list	8
9.	Warranty	14
10.	EC declaration	15



**Caution! Keep the manual in a dry place and do not damage it.**

# 1. Symbols safety label



**NLD** Lees en begrijp de handleiding voor gebruik van de heftafel.

**ENG** Read and understand the manual before using the lifting table.



**NLD** Gebruik de heftafel niet om personen te heffen

**ENG** Do not use lifting table for lifting people



**NLD** Waarschuwing: Gevaar voor beknelling van handen

**ENG** Warning: Risk of crushing hands



**NLD** Waarschuwing: Gevaar voor beknelling

**ENG** Warning: Risk of crushing

## 2. General

This user manual is part of the battery disassembly lift table and should therefore be kept carefully with the battery disassembly lift table. When the battery disassembly lift table changes hands, the user manual should be supplied with it.

The LT1000M is designed for mounting and dismounting battery packs of electric vehicles. This product can also be used for removing and installing various other parts, such as: engines, drive shafts, fuel tanks, suspensions, chassis parts, etc.

## 3. Safety instructions

Volg de instructies op voordat u de accu demontage heftafel gebruikt.

- Read the manual before using the battery disassembly lift table.
  - The load on the platform must not exceed the rated load.
  - It is strictly forbidden to use the battery lift table for transporting people.
  - When moving the platform up or when the platform is stationary, the foot brake must be properly depressed to prevent the vehicle from rolling away.
  - It is not permitted to transport loads when the platform of the battery disassembly lift table is in the raised position.
  - Use the battery disassembly lift table only on a smooth and flat surface.
  - Lower the load gradually by slowly operating the control lever.
  - Beware of crushing danger, do not place hands or feet under the platform of the battery disassembly lift table.
  - Wear proper PPE such as gloves and safety glasses when operating the battery disassembly lift table.
  - Only competent personnel should service or repair the battery disassembly lift table.
  - Check the battery disassembly lift table for damage before each use and have any damage repaired before using the battery disassembly lift table.
  - Only use official spare parts for repairs.
  - Never exceed the maximum capacity of the battery disassembly lift table.
  - The battery disassembly lift table must not be adjusted in height when the platform is extended.
  - Make sure that the centre of gravity of the load is at the centre of gravity of the battery disassembly lift table, above the centre of the shears.
  - Do not move the lift table while the load is lifted. Be careful when passing corners or slopes to avoid injury. Lower the table to the lowest position while moving the table with a load.
  - It is not allowed to stand under the platform.
- Unauthorised modifications to the product will void the warranty.

## 4. Assembly

### Opening packaging

- Open the packaging;
- Mount the lever at the bottom of the base frame and lock it with the pins;
- Remove the blocks used to lock the wheels;
- Drive the battery disassembly lift table off the pallet.

### No-load lifting

First lift the battery disassembly lift table unloaded several times;

- Press the up button to lift the platform to the highest position;
- Press the down button to lower the lift vehicle platform to its lowest position.

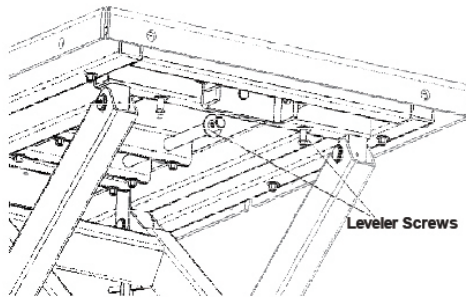


Figure 1

### Platform tilt function

Turn the drive screw fully in/out to ensure that the platform tilt function works normally.

### Stabiliteit

Turn the screw into the threaded hole (about 5 turns). When not in use, do not slide the screw out of the square tube or make contact with the platform ground; (See figure 1).

## 5. Use

### Adjust tilt function

The adjustment screws shown in Figure 1 allow the platform to tilt to remove or install vehicle parts. This feature provides a total tilt of two centimetres at the front of the platform. The adjustment screws can be operated manually, with a spanner or with a socket spanner, depending on the load applied.

### Stabilisation function

If the lift is to be used as a fixed work surface for servicing parts, two set screws (see Figure 1) have been added to help stabilise the platform.

When the desired tilt or platform position is reached, turn both set screws inwards until they touch the bottom of the platform and tighten them only hand-tight. This provides two additional contact points for a more stable platform.

## Removal of vehicle parts

1. Always follow the service procedure recommended by the vehicle manufacturer;
2. Place the lift table under the vehicle. Connect the electrical supply to the power unit;
3. Press the UP button to raise the lift table and connect it to the vehicle component;
4. Dismantle the vehicle component;
5. Press the lower button to lower the battery disassembly lift table to its lowest position;
6. The battery disassembly lift table can now be driven out from under the vehicle.

## Installation of vehicle components

1. Place the battery disassembly lift table under the vehicle chassis.
2. Align the part in the correct position and press the lift button to lift the lift table.
3. Always follow the vehicle manufacturer's recommended service procedure for installing the vehicle part.

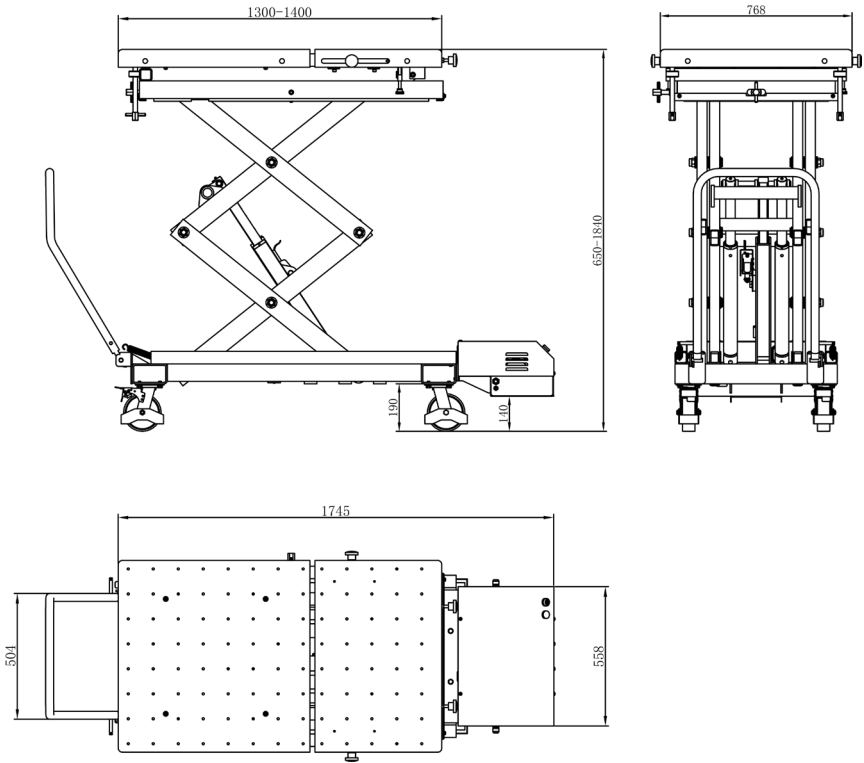
# 6. Maintenance

### **CAUTION: Avoid personal injury:**

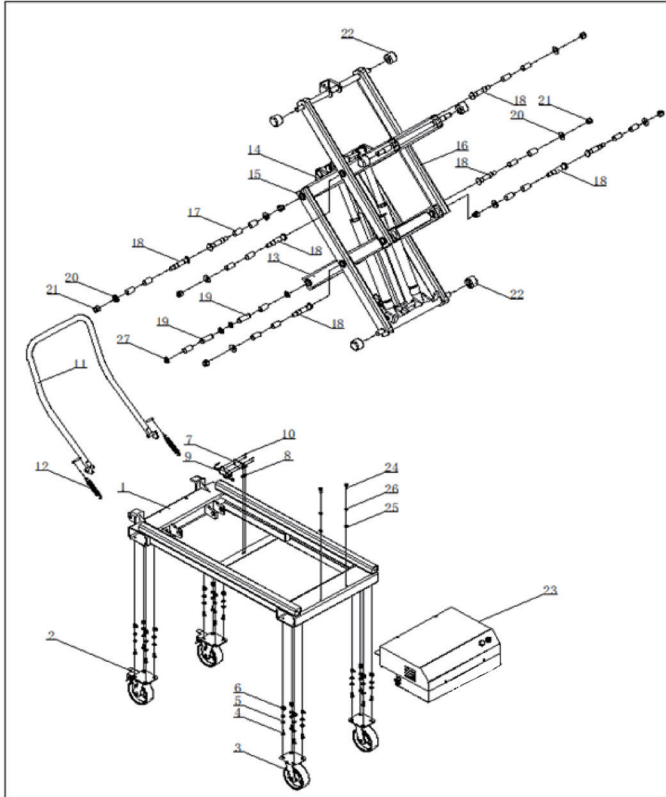
- All moving parts should be lubricated once a month with lubricating oil.
- Regularly check the condition of the wheels and replace them when worn.
- Check that the rear wheel brake is working.
- Check the hydraulic cylinder for oil leaks.

# 7. Specifications

Capacity	1200 kg
Min. platform height	650 mm
Max. platform height	1840 mm
Platform size	1300 x 768 mm
Weight	418 kg
Voltage	230 V / 50HZ
Power	0.75 kW
Protection class	IP44

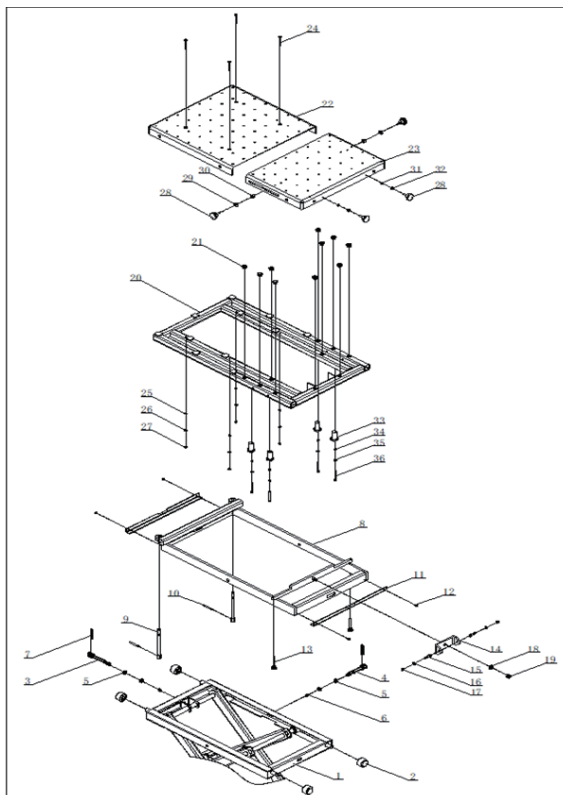


## 8. Parts list

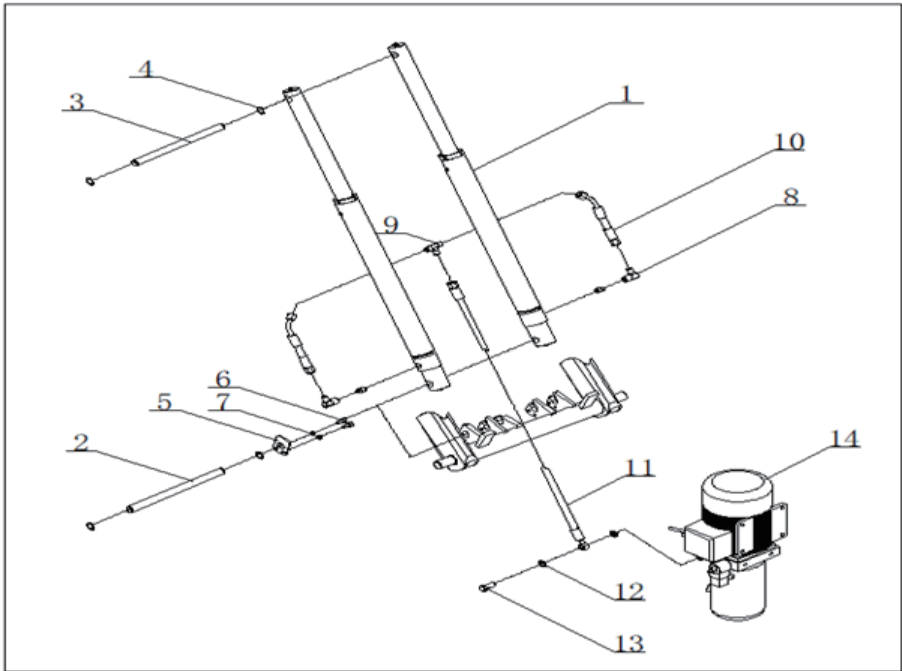


1.	PLT 1	Base	24.	PLT 24	Bolt M10*20
2.	PLT 2	Swivel castors with brake	25.	PLT 25	Washer 10
3.	PLT 3	Wheel	26.	PLT 26	Spring washer
4.	PLT 4	Bolt M10*25	27.	PLT 27	Shaft washer 25
5.	PLT 5	Washer			
6.	PLT 6	Screw M10			
7.	PLT 7	Corner iron			
8.	PLT 8	Bolt M6*10			
9.	PLT 9	Limit switch			
10.	PLT 10	Bolt M5*12			
11.	PLT 11	Lever			
12.	PLT 12	Spring			
13.	PLT 13	Scissors 01			
14.	PLT 14	Scissors 02			
15.	PLT 15	Scissors 03			
16.	PLT 16	Scissors 04			
17.	PLT 17	Composite bushing P28*25*50			
18.	PLT 18	Shaft for scissors			
19.	PLT 19	Shaft for base			
20.	PLT 20	Washer			
21.	PLT 21	Self-locking screw			
22.	PLT 22	Rolling Wheel			
23.	PLT 23	Pump			

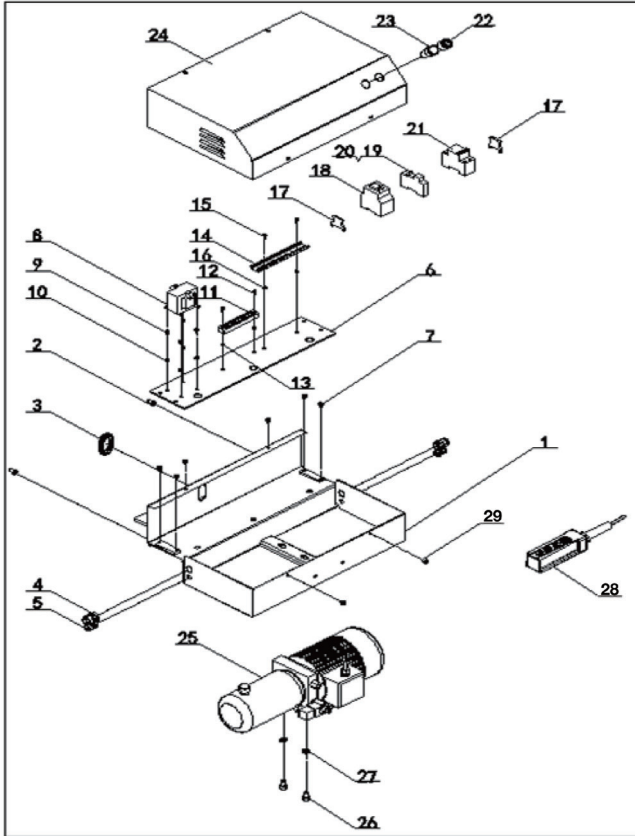




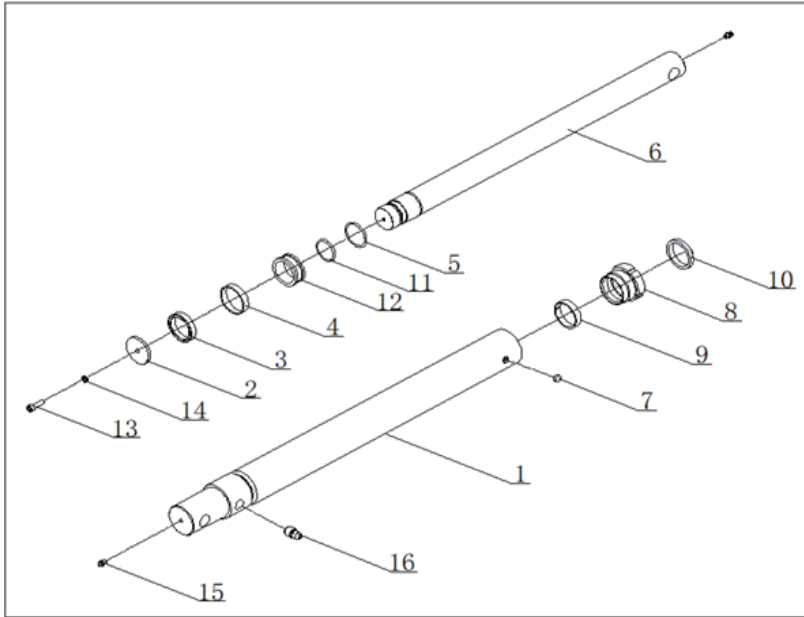
- |     |        |                        |     |        |                        |
|-----|--------|------------------------|-----|--------|------------------------|
| 1.  | PLT 1  | Frame                  | 24. | PLT 24 | Bolt M8*80             |
| 2.  | PLT 2  | Wheel                  | 25. | PLT 25 | Spring washer 8        |
| 3.  | PLT 3  | Long bar               | 26. | PLT 26 | Washer 8               |
| 4.  | PLT 4  | Short bar              | 27. | PLT 27 | Nut M8                 |
| 5.  | PLT 5  | Bearing 51101          | 28. | PLT 28 | Lever                  |
| 6.  | PLT 6  | Self-locking M12       | 29. | PLT 29 | Large washer 10        |
| 7.  | PLT 7  | Pin 10*80              | 30. | PLT 30 | Sleeve C               |
| 8.  | PLT 8  | Platform (downwards)   | 31. | PLT 31 | Spring washer 10       |
| 9.  | PLT 9  | bolt                   | 32. | PLT 32 | Self-locking screw M10 |
| 10. | PLT 10 | Pin 10*80              | 33. | PLT 33 | sleeve                 |
| 11. | PLT 11 | Angel iron (small)     | 34. | PLT 34 | Spring washer 8        |
| 12. | PLT 12 | Bolt M6*10             | 35. | PLT 35 | Washer 8               |
| 13. | PLT 13 | bolt                   | 36. | PLT 36 | Bolt M8*80             |
| 14. | PLT 14 | U-Board                |     |        |                        |
| 15. | PLT 15 | Bolt 13*25             |     |        |                        |
| 16. | PLT 16 | Washer 10              |     |        |                        |
| 17. | PLT 17 | Self-locking screw M10 |     |        |                        |
| 18. | PLT 18 | Washer 18              |     |        |                        |
| 19. | PLT 19 | Self-locking screw M16 |     |        |                        |
| 20. | PLT 20 | Platform (up)          |     |        |                        |
| 21. | PLT 21 | Bearing                |     |        |                        |
| 22. | PLT 22 | Platform A             |     |        |                        |
| 23. | PLT 23 | Platform B             |     |        |                        |



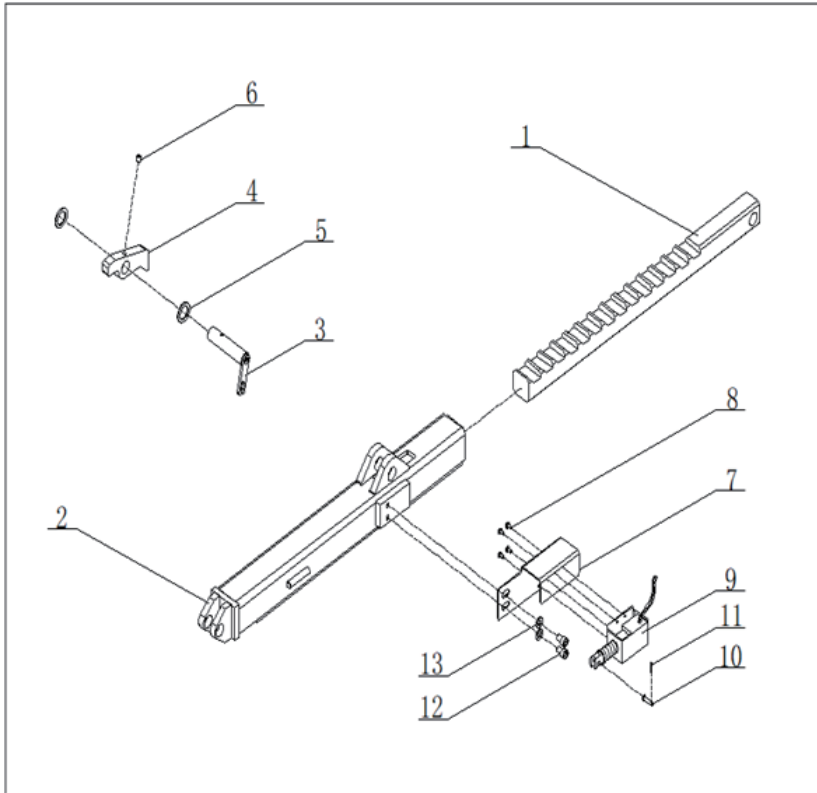
- |     |        |                        |
|-----|--------|------------------------|
| 1.  | PLT 1  | Cylinder (complete)    |
| 2.  | PLT 2  | Cylinder shaft         |
| 3.  | PLT 3  | Cylinder shaft A       |
| 4.  | PLT 4  | Axle ring 19           |
| 5.  | PLT 5  | Repair sign            |
| 6.  | PLT 6  | Shop M8*16             |
| 7.  | PLT 7  | Spring washer 8        |
| 8.  | PLT 8  | Connection             |
| 9.  | PLT 9  | T-joint                |
| 10. | PLT 10 | Oil hose l=240         |
| 11. | PLT 11 | Oil hose L=1100        |
| 12. | PLT 12 | Composite bush         |
| 13. | PLT 13 | Short compression bolt |
| 14. | PLT 14 | Pump 0.75 kW           |



- |     |        |                                  |     |        |              |
|-----|--------|----------------------------------|-----|--------|--------------|
| 1.  | PLT 1  | POMP                             | 24. | PLT 24 | Pump cover   |
| 2.  | PLT 2  | Bolt M8*16                       | 25. | PLT 25 | Pump 0.75 kW |
| 3.  | PLT 3  | Oil hose cover                   | 26. | PLT 26 | Bolt M10*16  |
| 4.  | PLT 4  | Threaded handle PG 13,5          | 27. | PLT 27 | Washer 10    |
| 5.  | PLT 5  | Threaded handle PG 7             | 28. | PLT 28 | Washer M6*8  |
| 6.  | PLT 6  | Installation board of electronic | 29. | PLT 29 | knob         |
| 7.  | PLT 7  | Screw M6x8                       |     |        |              |
| 8.  | PLT 8  | Transformer                      |     |        |              |
| 9.  | PLT 9  | Cross recessed screw M5x8        |     |        |              |
| 10. | PLT 10 | Nut M5                           |     |        |              |
| 11. | PLT 11 | String oscillator                |     |        |              |
| 12. | PLT 12 | Screw M4x10                      |     |        |              |
| 13. | PLT 13 | Nut M4                           |     |        |              |
| 14. | PLT 14 | Track 140 mm                     |     |        |              |
| 15. | PLT 15 | Bolt M4*10                       |     |        |              |
| 16. | PLT 16 | Nut M4                           |     |        |              |
| 17. | PLT 17 | Yellow-green terminal            |     |        |              |
| 18. | PLT 18 | AC switch                        |     |        |              |
| 19. | PLT 19 | Fuse base                        |     |        |              |
| 20. | PLT 20 | Fuse 6A                          |     |        |              |
| 21. | PLT 21 | Breaker                          |     |        |              |
| 22. | PLT 22 | Circuit breaker AC24V            |     |        |              |
| 23. | PLT 23 | Indicator light (AC220V)         |     |        |              |



- |     |        |                  |
|-----|--------|------------------|
| 1.  | PLT 1  | Cylinder body    |
| 2.  | PLT 2  | Locking ring     |
| 3.  | PLT 3  | seal             |
| 4.  | PLT 4  | T47 support ring |
| 5.  | PLT 5  | Spring washer 38 |
| 6.  | PLT 6  | Piston rod       |
| 7.  | PLT 7  | Pneumostome 10   |
| 8.  | PLT 8  | Guide sleeve     |
| 9.  | PLT 9  | T47 wear ring    |
| 10. | PLT 10 | Dustproof ring   |
| 11. | PLT 11 | O-ring 30x2.65   |
| 12. | PLT 12 | Piston           |
| 13. | PLT 13 | Winkel M6*20     |
| 14. | PLT 14 | Spring washer 6  |
| 15. | PLT 15 | Oil cup M6*1     |
| 16. | PLT 16 | Gas valve        |



- |     |        |                         |
|-----|--------|-------------------------|
| 1.  | PLT 1  | Gear                    |
| 2.  | PLT 2  | Electric release system |
| 3.  | PLT 3  | Electric load           |
| 4.  | PLT 4  | brake ratchet           |
| 5.  | PLT 5  | Washer                  |
| 6.  | PLT 6  | Bolt M8*10              |
| 7.  | PLT 7  | Solenoid seat           |
| 8.  | PLT 8  | Bolt M4*8               |
| 9.  | PLT 9  | Solenoid                |
| 10. | PLT 10 | Pin roller-B 5*22       |
| 11. | PLT 11 | PIN 1.2*8               |
| 12. | PLT 12 | Washer M8*12            |
| 13. | PLT 13 | Plain washer 8          |

## 8. Warranty

1. The guarantee takes effect on the date stated on the purchase invoice and is valid for 12 months.
2. The guarantee is not transferable without a written statement of consent from Your supplier.
3. No warranty claims can be made without the purchase invoice.
4. Warranty is only applicable if the product is used according to the instructions provided and only for the purpose for which it was designed.
5. No modifications may be made to the product.
6. The guarantee does not apply in case of improper use.
7. Any shipping costs are not covered by the warranty provision.
8. Repairs should only be carried out by Your supplier. Any repair(s) carried out by third parties will invalidate the warranty claim.
9. Repairs during the warranty period will not extend the validity. However, a three-month warranty on the repair will be issued should the regular warranty period expire.
10. Any maintenance work to be carried out, described in the user manual, should be carried out in good time.
11. For warranty, please contact only the point of sale where you purchased the article.

## EG-verklaring van overeenstemming - Declaration of conformity – EG- Konformitätserklärung - Declaration de conformite - Dichiarazion di conformita- Declaracion de conformidad

Wij, We, Wir, Nous, Noi, La empresa,

**Valkenpower BV, Industrieweg 4, 6051 AE Maasbracht, Nederland,**

verklaren geheel onder eigen verantwoordelijkheid dat het product

declare under our sole responsibility that the product

erklären in alleiniger Verantwortung, dass das Produkt

déclarons sous notre seule responsabilité que le produit

dichiariamo sotto la nostra responsabilità che il prodotto

declaramos bajo nuestra exclusiva responsabilidad que el producto

Type Model Type Type Tipo Tipo	Beschrijving Description Beschreibung Description Descrizione Descripción	Merk Brand Marke Marque Marca Marca
LT1200EA	Battery disassembly lift table	Falco

Waarop deze verklaring betrekking heeft, in overeenstemming zijn met de volgende normen:

To which this declaration relates is in conformity with the following document:

Auf welches sich diese Erklärung bezieht, den folgenden Normen entspricht:

Auquel se réfère cette déclaration est conforme à le document suivant:

A cui si riferisce dichiarazione, corrisponde ai seguenti documenti:

Al que se refiere la presente declaración, corresponde a los siguientes documentos:

**NEN-EN 1494:2001+A1:2008 en**

**NEN-EN-ISO 12100:2010 en**

**NEN-EN-ISO 3691-5:2015 en**

**2006/42/EG**

Nederland, Maasbracht, 10-2023

Serienummer  
Serial number:

**Directeur Valkenpower**



B.A.H Valkenburg

Valkenpower BV, Industrieweg 4, 6051 AE Maasbracht, Nederland

