

TYPE
LT1000M



**Please read this manual carefully
before using the Battery Dismantling
Lift Table.**



Index

Page

1.	Symbols safety label	3
2.	General	4
3.	Safety instructions	4
4.	Use	5
5.	Maintenance	5
6.	Specifications	5
7.	Parts list	6
8.	Warranty	10
9.	EC declaration	11



Caution! Keep the manual in a dry place and do not damage it.

1. Symbols safety label



NLD Lees en begrijp de handleiding voor gebruik van de heftafel.

ENG Read and understand the manual before using the lifting table.



NLD Gebruik de heftafel niet om personen te heffen

ENG Do not use lifting table for lifting people



NLD Waarschuwing: Gevaar voor beknelling van handen

ENG Warning: Risk of crushing hands



NLD Waarschuwing: Gevaar voor beknelling

ENG Warning: Risk of crushing

2. General

This user manual is part of the battery disassembly lift table and should therefore be kept carefully with the battery disassembly lift table. When the battery disassembly lift table changes hands, the user manual should be supplied with it.

The LT1000M is designed for mounting and dismounting battery packs of electric vehicles. This product can also be used for removing and installing various other parts, such as: engines, drive shafts, fuel tanks, suspensions, chassis parts, etc.

3. Safety instructions

Volg de instructies op voordat u de accu demontage heftafel gebruikt.

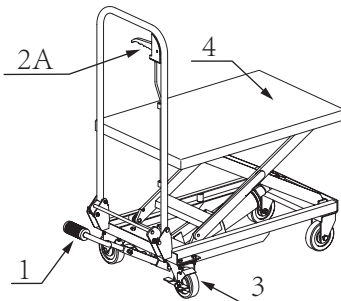
- Read the manual before using the battery disassembly lift table.
 - The load on the platform must not exceed the rated load.
 - It is strictly forbidden to use the battery lift table for transporting people.
 - When moving the platform up or when the platform is stationary, the foot brake must be properly depressed to prevent the vehicle from rolling away.
 - It is not permitted to transport loads when the platform of the battery disassembly lift table is in the raised position.
 - Use the battery disassembly lift table only on a smooth and flat surface.
 - Lower the load gradually by slowly operating the control lever.
 - Beware of crushing danger, do not place hands or feet under the platform of the battery disassembly lift table.
 - Wear proper PPE such as gloves and safety glasses when operating the battery disassembly lift table.
 - Only competent personnel should service or repair the battery disassembly lift table.
 - Check the battery disassembly lift table for damage before each use and have any damage repaired before using the battery disassembly lift table.
 - Only use official spare parts for repairs.
 - Never exceed the maximum capacity of the battery disassembly lift table.
 - The battery disassembly lift table must not be adjusted in height when the platform is extended.
 - Make sure that the centre of gravity of the load is at the centre of gravity of the battery disassembly lift table, above the centre of the shears.
 - Do not move the lift table while the load is lifted. Be careful when passing corners or slopes to avoid injury. Lower the table to the lowest position while moving the table with a load.
 - It is not allowed to stand under the platform.
- Unauthorised modifications to the product will void the warranty.

4. Use

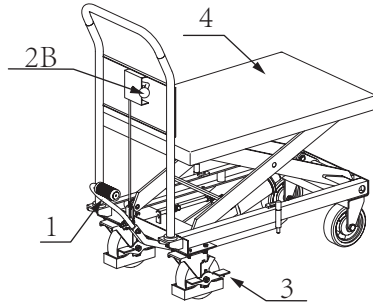
Lifting and lowering

1. Press the foot pedal (1) repeatedly to raise the working platform.
2. When the operating lever (2b) is pressed down (the folding handle is held up), the working platform lowers. The force with which the lever is pressed down controls the lowering speed.
3. Move the operating lever up to stop the platform from lowering.
4. Before loading, use the rear wheel brake (3) to avoid accidents.

5. Maintenance



Folding handle



Fixed handle

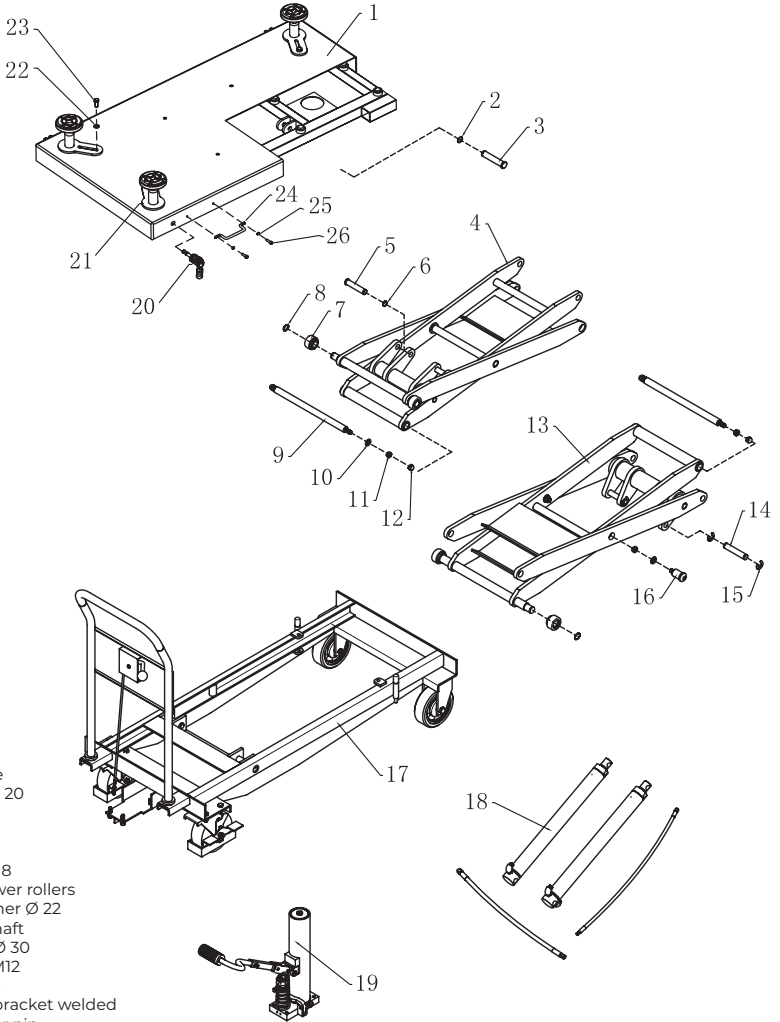
LET OP: Voorkom persoonlijk letsel:

- All moving parts should be lubricated once a month with lubricating oil.
- Regularly check the condition of the wheels and replace them when worn.
- Check that the rear wheel brake is working.
- Check the hydraulic cylinder for oil leaks.

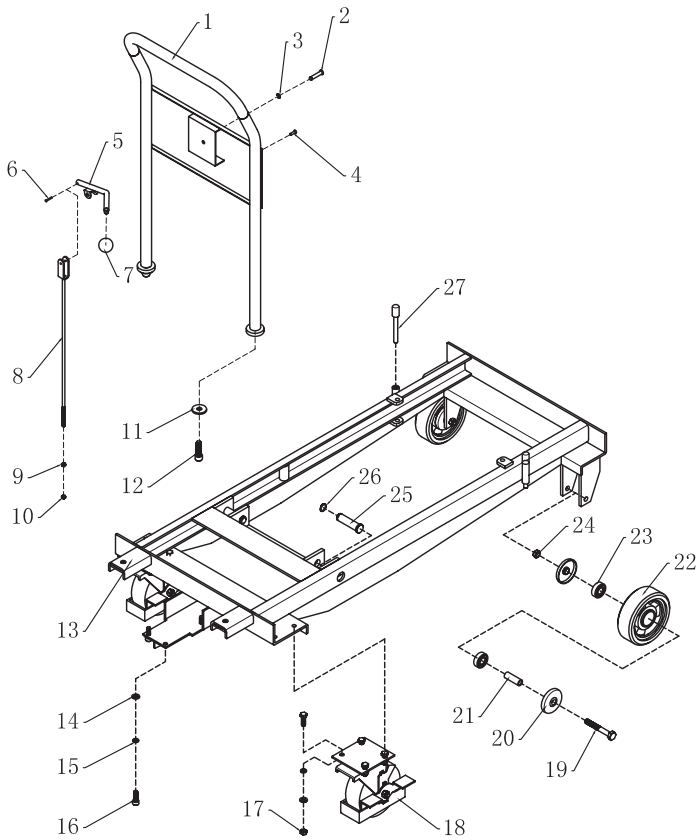
6. Specifications

Capacity	1000 kg
Min. platform height	550 mm
Max. platform height	1750 mm
Platform size	1500 x 800 mm
Wheel size	150 x 50 mm
Weight	270 kg

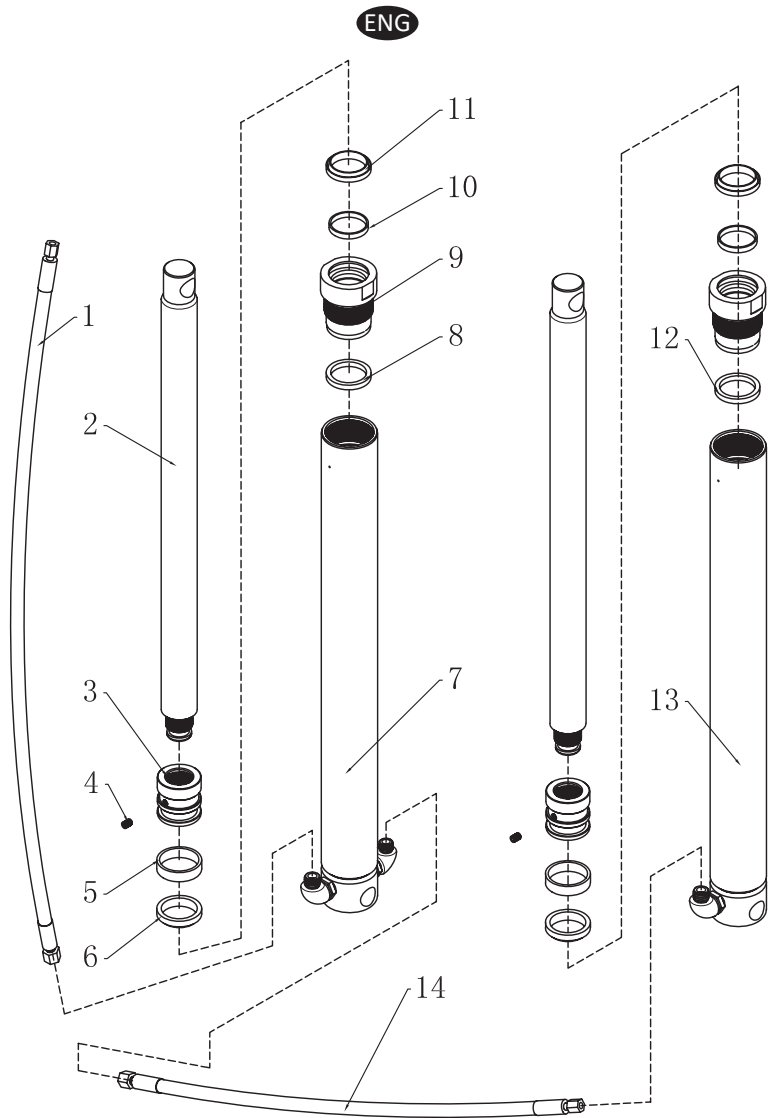
7. Parts list



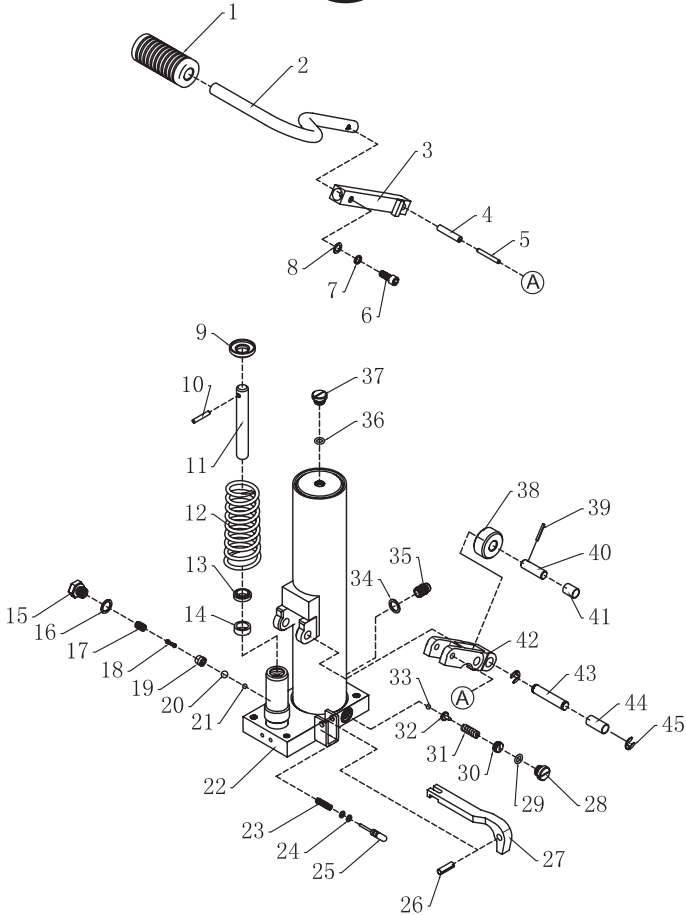
- 1. Platform plate
- 2. Shaft circlip $\varnothing 20$
- 3. Platform pin
- 4. Lift bar
- 5. Lift rod pin
- 6. Axle circlip $\varnothing 18$
- 7. Upper and lower rollers
- 8. Axle lock washer $\varnothing 22$
- 9. Supporting shaft
- 10. Lock washer $\varnothing 30$
- 11. Counter nut M12
- 12. Cover nut M12
- 13. Lower lifting bracket welded
- 14. Lifting cylinder pin
- 15. Split washer $\varnothing 15$
- 16. Lower central shaft
- 17. Frame mounting
- 18. Cylinder mounting
- 19. External cylinder assembly
- 20. Armature
- 21. Adjustable lifting pads
- 22. Washer 12
- 23. Bolt M12X30
- 24. Lever
- 25. Spring washer
- 26. Bolt M8X15



- | | | |
|-----|--------|--|
| 1. | PLT 1 | Handle |
| 2. | PLT 2 | Handle pin |
| 3. | PLT 3 | Split ring $\varnothing 6$ |
| 4. | PLT 4 | Blind rivet $\varnothing 5 \times 16$ |
| 5. | PLT 5 | Operating handle |
| 6. | PLT 6 | Rivet $\varnothing 3 \times 25$ |
| 7. | PLT 7 | Bakelite hand ball |
| 8. | PLT 8 | Pull rod handle |
| 9. | PLT 9 | NUMBER M6 |
| 10. | PLT 10 | LOCK WASHER M6 |
| 11. | PLT 11 | Gasket of the handle seat |
| 12. | PLT 12 | Hex bolt M12 $\times 40$ |
| 13. | PLT 13 | Frame washer |
| 14. | PLT 14 | Locking ring $\varnothing 10$ |
| 15. | PLT 15 | Locking ring $\varnothing 10$ |
| 16. | PLT 16 | Hexagon head bolt M10 $\times 30$ |
| 17. | PLT 17 | Nut M10 |
| 18. | PLT 18 | Rear wheel set $\varnothing 150 \times 50$ |
| 19. | PLT 19 | Hex bolt M12 $\times 90$ |
| 20. | PLT 20 | Bearing cover |
| 21. | PLT 21 | Bolt sleeve |
| 22. | PLT 22 | front wheel |
| 23. | PLT 23 | Bearing 6203 |
| 24. | PLT 24 | Counter nut M12 |
| 25. | PLT 25 | Frame pin |
| 26. | PLT 26 | Axle lock washer $\varnothing 20$ |
| 27. | PLT 27 | Shaft limitation |



- | | | |
|-----|--------|-------------------------------------|
| 1. | PLT 1 | Hose M14 × 1,5/800 |
| 2. | PLT 2 | Lift rod |
| 3. | PLT 3 | Piston |
| 4. | PLT 4 | Hexagon socket set screw M6 × 8 |
| 5. | PLT 5 | Wear resistant belt d40 × D35 × 10 |
| 6. | PLT 6 | Y-ring d40 × D32 × 8 |
| 7. | PLT 7 | Lifting cylinder 1 |
| 8. | PLT 8 | Cylinder upper sleeve 2 |
| 9. | PLT 9 | Cylinder nut |
| 10. | PLT 10 | Wear-resistant belt d35 × D32 × 5,2 |
| 11. | PLT 11 | Dust ring d40 × D32 × 5/6.5 |
| 12. | PLT 12 | Cylinder upper sleeve 1 |
| 13. | PLT 13 | Lifting cylinder 2 |
| 14. | PLT 14 | Hose M14 × 1,5/390 |



- | | | | | | |
|-----|--------|------------------------------|-----|--------|--------------------------------------|
| 1. | PLT 1 | Rubber sleeve | 24. | PLT 24 | O-ring D8 × 1,8 |
| 2. | PLT 2 | Pedal handle | 25. | PLT 25 | Oil drain rod |
| 3. | PLT 3 | Rocker welding | 26. | PLT 26 | Elastic pin Ø 8 × 25 |
| 4. | PLT 4 | Elastic pin Ø 8 × 40 | 27. | PLT 27 | Swing rod |
| 5. | PLT 5 | Cylindrical pin Ø 5 × 40 | 28. | PLT 28 | Sealing screw pressure control valve |
| 6. | PLT 6 | Hexagon socket screw M8 × 20 | 29. | PLT 29 | O-ring d11,2 × 2,65 |
| 7. | PLT 7 | Sealing ring Ø 8 | 30. | PLT 30 | Pressure regulating screw |
| 8. | PLT 8 | Sealing ring Ø 8 | 31. | PLT 31 | Pressure-regulating spring |
| 9. | PLT 9 | Spring cushion | 32. | PLT 32 | Pressure-regulating spring seat |
| 10. | PLT 10 | Cylindrical pin Ø 5 × 32 | 33. | PLT 33 | Steel ball s Ø 6 |
| 11. | PLT 11 | Compression rod | 34. | PLT 34 | Combined washer Ø 14 |
| 12. | PLT 12 | Conical spring | 35. | PLT 35 | Straight connection M14 × 1,5 |
| 13. | PLT 13 | Dust ring d24 × D16 × 4,5/6 | 36. | PLT 36 | O-ring d11.2 × 2.65 |
| 14. | PLT 14 | Y-ring d22 × D16 × 8 | 37. | PLT 37 | Oil-hole screw |
| 15. | PLT 15 | Oil valve sealing bolt | 38. | PLT 38 | Roller |
| 16. | PLT 16 | Copper washer | 39. | PLT 39 | Elastic pin Ø 3 × 24 |
| 17. | PLT 17 | Valve sleeve spring | 40. | PLT 40 | Compression shaft |
| 18. | PLT 18 | Coil spring | 41. | PLT 41 | Composite bushing d12 × D14 × 18 |
| 19. | PLT 19 | Valve sleeve | 42. | PLT 42 | Step on lever |
| 20. | PLT 20 | Steel ball s Ø 9 | 43. | PLT 43 | Cylinder tap |
| 21. | PLT 21 | Steel ball s Ø 6 | 44. | PLT 44 | Composite bushing d12 × D14 × 30 |
| 22. | PLT 22 | Valve plate welded | 45. | PLT 45 | Split ring Ø 9 |
| 23. | PLT 23 | Spring oil drain rod | | | |

8. Warranty

1. The guarantee takes effect on the date stated on the purchase invoice and is valid for 12 months.
2. The guarantee is not transferable without a written statement of consent from Your supplier.
3. No warranty claims can be made without the purchase invoice.
4. Warranty is only applicable if the product is used according to the instructions provided and only for the purpose for which it was designed.
5. No modifications may be made to the product.
6. The guarantee does not apply in case of improper use.
7. Any shipping costs are not covered by the warranty provision.
8. Repairs should only be carried out by Your supplier. Any repair(s) carried out by third parties will invalidate the warranty claim.
9. Repairs during the warranty period will not extend the validity. However, a three-month warranty on the repair will be issued should the regular warranty period expire.
10. Any maintenance work to be carried out, described in the user manual, should be carried out in good time.
11. For warranty, please contact only the point of sale where you purchased the article.

EG-verklaring van overeenstemming - Declaration of conformity – EG- Konformitätserklärung - Declaration de conformite - Dichiarazion di conformita- Declaracion de conformidad

Wij, We, Wir, Nous, Noi, La empresa,

Valkenpower BV, Industrieweg 4, 6051 AE Maasbracht, Nederland,

verklaren geheel onder eigen verantwoordelijkheid dat het product

declare under our sole responsibility that the product

erklären in alleiniger Verantwortung, dass das Produkt

déclarons sous notre seule responsabilité que le produit

dichiariamo sotto la nostra responsabilità che il prodotto

declaramos bajo nuestra exclusiva responsabilidad que el producto

Type Model Type Type Tipo Tipo	Beschrijving Description Beschreibung Description Descrizione Descripción	Merk Brand Marke Marque Marca Marca
LT1000M	Battery disassembly lift table	Falco

Waarop deze verklaring betrekking heeft, in overeenstemming zijn met de volgende normen:

To which this declaration relates is in conformity with the following document:

Auf welches sich diese Erklärung bezieht, den folgenden Normen entspricht:

Auquel se réfère cette déclaration est conforme à le document suivant:

A cui si riferisce dichiarazione, corrisponde ai seguenti documenti:

Al que se refiere la presente declaración, corresponde a los siguientes documentos:

NEN-EN 1494:2001+A1:2008 en

NEN-EN-ISO 12100:2010 en

NEN-EN-ISO 3691-5:2015 en

2006/42/EG

Nederland, Maasbracht, 10-2023

Serienummer
Serial number:

Directeur Valkenpower



B.A.H Valkenburg

Valkenpower BV, Industrieweg 4, 6051 AE Maasbracht, Nederland

