

# Falco



**TYPE**  
MLP60KE



**Read this manual carefully before using  
the motorcycle lift.**

<b>Index</b>	<b>Page</b>
1. Safety Instructions	3
2. Assembly	4
3. Operation	7
4. Maintenance	8
5. Specifications	9
6. Parts List	10
7. Wiring Diagrams	13
8. Warranty	15
9. Logbook	16
10. EC Declaration	17

## **Storing the manual**

For proper use of the manual, we recommend the following:

- Keep the user manual near the motorcycle lift in an easily accessible location.
- Store the user manual in a dry place to avoid moisture.
- Use the user manual carefully to prevent damage.
- Any use of the motorcycle lift by operators who are not familiar with the instructions and procedures described in this user manual is strictly prohibited.

This user manual is an integral part of the motorcycle lift and should therefore be kept carefully with the lift. When the motorcycle lift changes ownership, the user manual must be provided to the new owner.

**© 2025 FALCO**

All rights reserved. No part of this publication may be reproduced, stored in an automated data system, or made public in any form or by any means without the express prior written consent of the publisher, except in cases of legal exemption.

# 1. Safety instructions

- Only persons who are fully familiar with the contents of this manual and aware of the potential hazards are allowed to use the product.
- Use the product only for its intended purpose.
- Improper use can result in serious property damage or severe personal injury.
- Ensure sufficient lighting in the workplace.
- Place the product on a suitable, hard surface.
- No modifications or adjustments may be made to this product.
- Keep other people, especially children, away from the device while it is in use.
- Never modify the product.
- Never alter the original settings.
- In case of any defects, the product must be repaired by a qualified company/person before being put back into use.
- Use only original parts for repairs.
- Always carefully check that the motorcycle lift is properly positioned before use.
- Prevent body parts from getting caught between the motorcycle lift and the lifted load. Sudden shifts can cause serious injuries.
- Check the motorcycle lift for mechanical deformations and damage before use.
- Extra caution is required when the motorcycle lift is holding a load. Shifting loads can release significant forces in a short time, which can cause serious injuries.
- Use the motorcycle lift only on a flat, clean, horizontal, and solid surface.
- Keep people, especially children, at a safe distance during use.
- Never drill, grind, or weld the motorcycle lift.
- Never exceed the specified load capacity of the unit.
- Keep the unit clean and free of grease and oil during operation.
- In case of defects, the motorcycle lift must be repaired by a qualified company/person.
- Use only original parts for repairs.
- Never place body parts under a lifted load.
- Ensure proper lighting of the workplace.

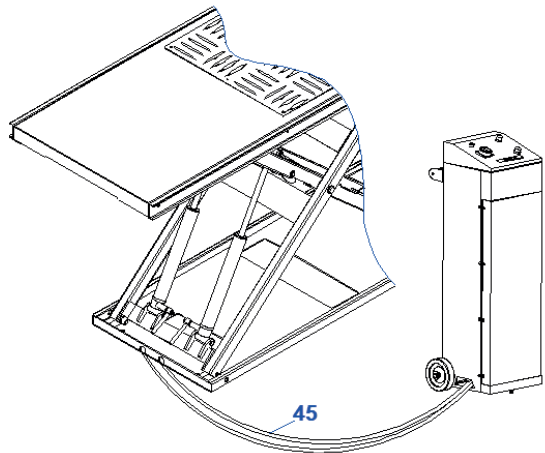
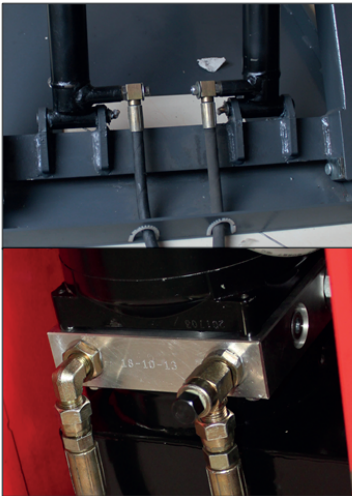
**Warning! Failure to follow these instructions may result in material damage and/or personal injury.**

## 2. Assembly

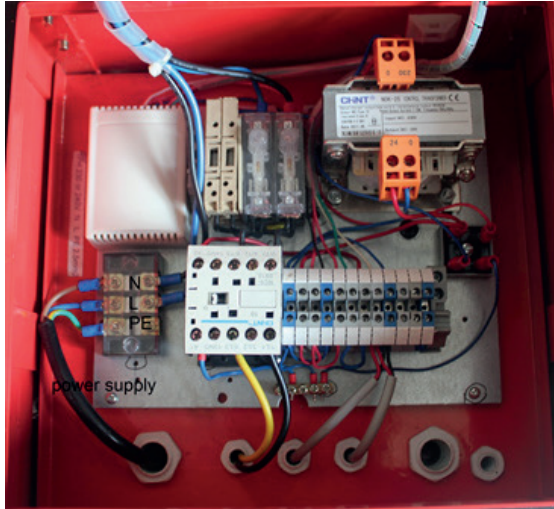
Open the packaging and use two sufficiently strong lifting straps to move the device to the workplace with a forklift. Check the product and the packing list to ensure that all parts are present.



Connect the oil lines to the hydraulic unit oil outlet.

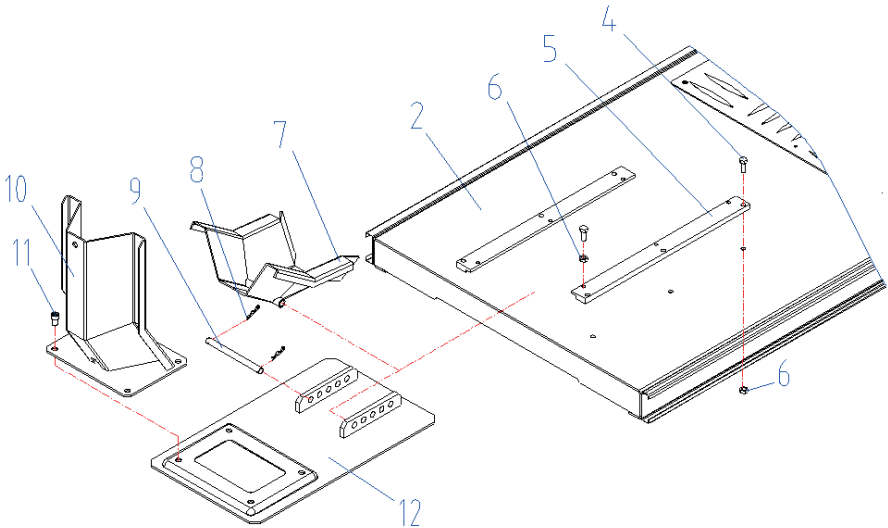


Connect the mains power supply to the connection in the control cabinet.

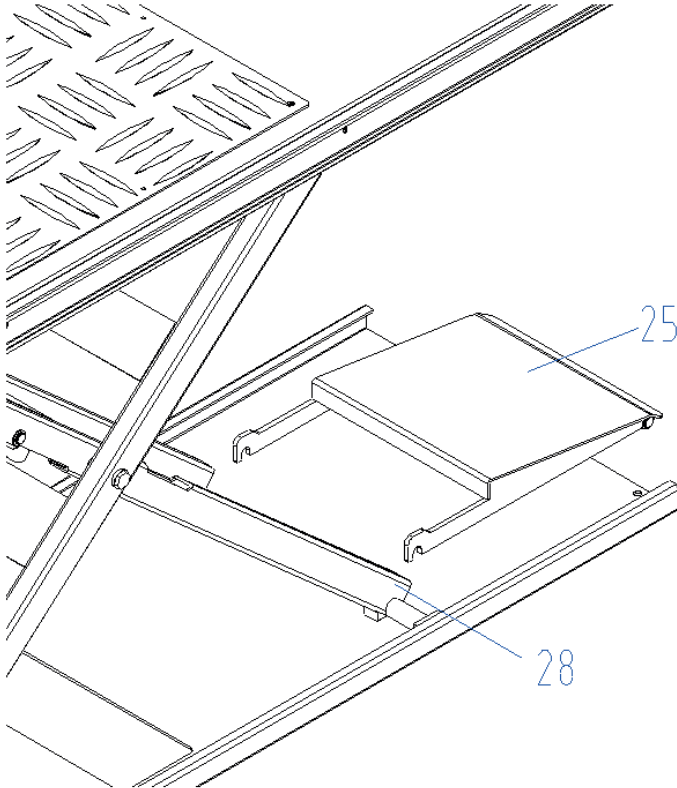


Lubricate all moving parts of the lift with bearing grease.

Install the front wheel clamp.



Install the ramp plate and attach it to the scissor mechanism when the lift is in the raised position.



### Bleeding the Lift

- Raise and lower the lift fully three times.
- This will remove all air from the system.
- For the first use, lift the platform to a maximum of 500 mm and lower it once to check the proper operation of the lift.
- After 10 uses with a load, check the bolts of the scissor mechanism and the oil lines for any loose components.

### 3. Operation

Ensure that the bleeding procedure is completed before use.

1. Turn on the lift by rotating the red button.
2. Ensure the motorcycle is positioned and securely fastened (using the wheel clamp/straps).
3. Lift the motorcycle by pressing the "UP" button.
4. Check that the motorcycle is properly secured.
5. Continue raising the lift to the desired height.
6. In case of an emergency, press the red emergency stop button.
7. Once the unsafe situation is resolved, the lift can be reactivated by turning the emergency stop button counterclockwise.
8. Perform your maintenance tasks.
9. Lower the lift by pressing the "DOWN" button.
10. Remove the motorcycle from the lift once it has fully lowered.



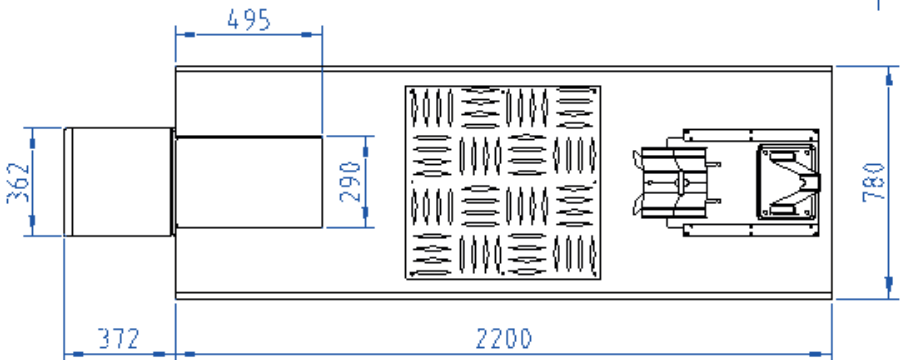
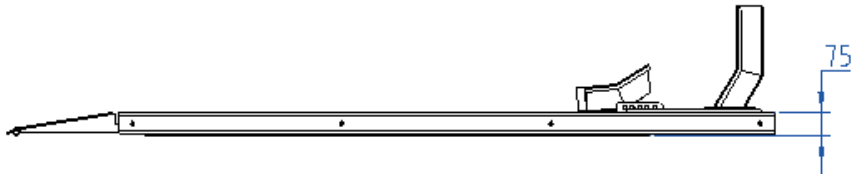
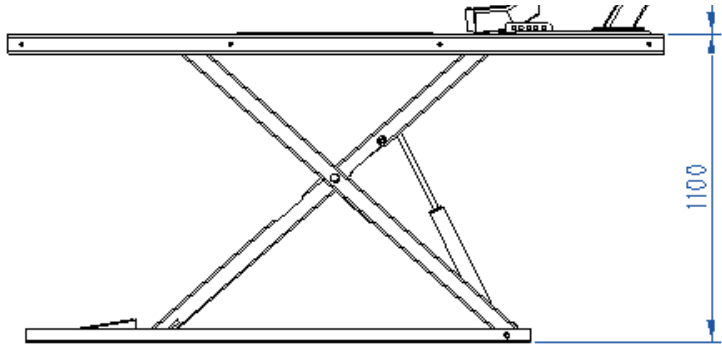
## 4. Maintenance

1. It is very important to properly maintain the motorcycle lift to ensure a long service life.
2. Check all parts for proper condition before operation.
3. Do not use the lift if any parts are deformed.
4. Never use the lift if there is a leak in the hydraulic system.
5. This motorcycle lift contains non-self-lubricating parts. Lubricate all moving parts before use. For frequent use, lubricate weekly; for occasional use, lubricate monthly.
6. If the motorcycle lift is not functioning, it must be repaired before being used again.
7. Some models are equipped with grease fittings to make maintenance easier.
8. Replace the hydraulic oil every twelve months.
9. Only use CH46 hydraulic oil.

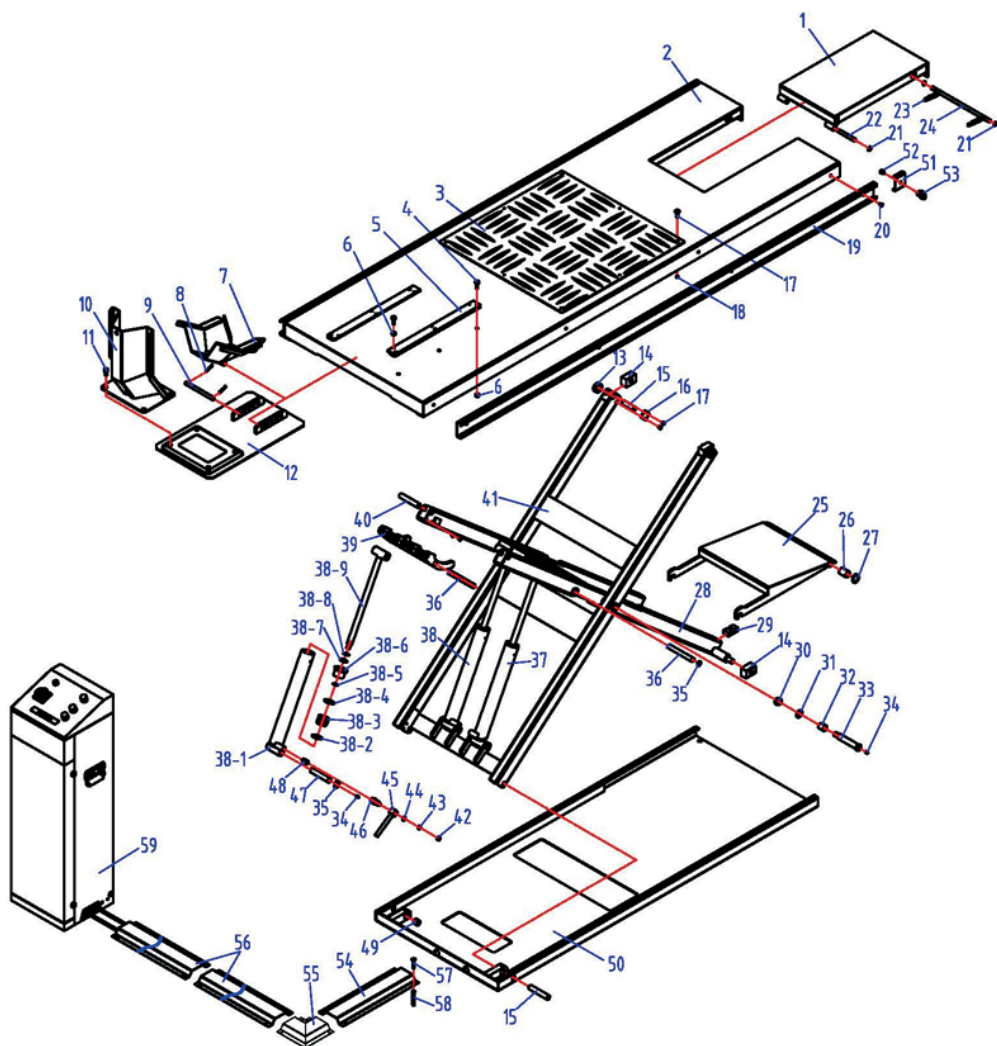


# 5. Specifications

Capacity	600 kg
Maximum Lift Height	1100 mm
Minimum Height	75 mm
Width	780 mm
Maximum Platform Length	2200 mm
Platform Width	780 mm
Power Supply Tolerance	+/- 10%
Power Supply	230 V 50Hz 10A 1.1 kW
Operating Temperature Range	5°C to 40°C
Humidity	30% to 95% non-condensing
Maximum Operating Altitude	+1000 m above sea level
Storage Temperature	-25°C to 55°C
Noise Level	<70 dB
Motorcycle Wheel Width	75 to 160 mm
Weight	230 kg



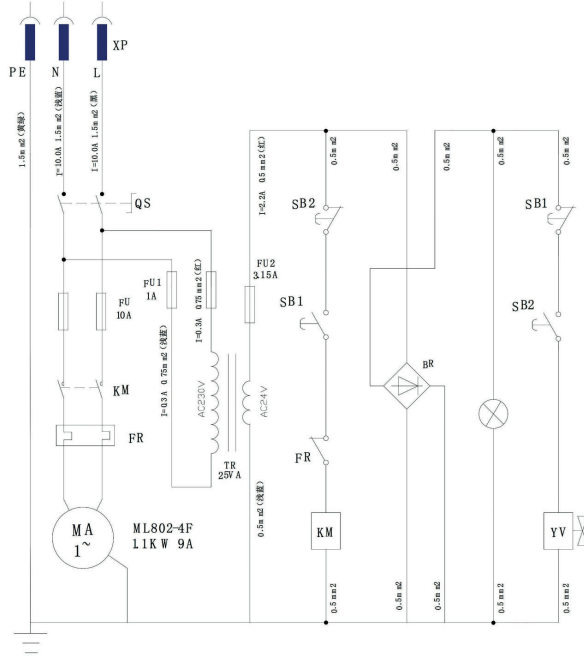
## 6. Parts list



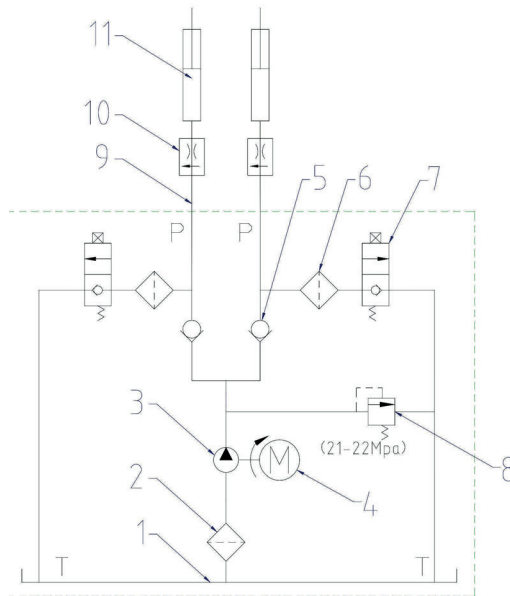
ITEM	CODE	DESCRIPTION	QTY	NOTE
1	JP27-05000-000	drop panel	1	
2	JP27-01000-000	platform	1	
3	JP24-00008-000	diamond plate	1	aluminum
4	5103-08025-000	hex bolt	6	M8*25
5	JP24-00021-000	sliding slot	2	
6	5201-00008-000	hex nut	12	M8
7	JP24-08000-000	wheel clamp	1	
8	JP24-00018-000	β pin	2	
9	JP24-00020-000	pin	1	
10	JP24-09000-000	wheel stop	1	
11	5105-10014-000	screw	4	M10*14
12	JP24-07000-000	sliding plate	1	
13	JP27-00005-000	upper roller	2	
14	JP27-00004-000	sliding block	4	
15	JP27-00001-000	shaft	4	
16	JP27-00012-000	lock plate	6	
17	5120-05014-000	screw	20	M5*14
18	5206-00005-000	lock nut	8	M5
19	JP27-00014-000	slot	2	
20	5118-08012-000	screw	8	M8*12
21	JP24-00025-000	hinge shaft	2	
22	5304-00012-000	circlip	6	φ12
23	JP27-00013-000	spring	2	
24	JP27-00011-000	shaft	1	
25	JP27-09000-000	ramp	1	
26	JP27-00006-000	roller	2	
27	5304-00016-000	circlip	2	φ16
28	JP27-02000-000	inner frame	1	
29	JP27-00010-000	sliding block	2	
30	5206-00016-000	lock nut	2	M16
31	5302-00016-000	flat washer	2	φ16
32	5603-20025-000	oilless bearing	8	φ20*25
33	JP27-00007-000	bolt	2	
34	JP27-00016-000	nipple	10	M6*90°
35	5304-00018-000	circlip	10	φ18
36	JP27-00003-000	shaft	1	
37	JP27-08000-000	cylinder 2#	1	
38	JP27-07000-000	cylinder 1#	1	
38-1	JP27-07100-000	cylinder body	1	
38-2	5905-00040-000	sealing ring	1	φ40*φ30*9.7

ITEM	CODE	DESCRIPTION	QTY	NOTE
38-3	JP27-07002-000	piston	1	
38-4	JP27-07001-000	guide ring	1	φ35*φ40*9.7
38-5	5901-02029-000	O ring	1	φ20.29*2.62
38-6	JP27-07004-000	cap	1	
38-7	5906-00025-000	guide ring	1	φ25*φ30*9.7
38-8	JP27-07003-000	dust ring	1	
38-9	JP27-07200-000	piston rod	1	
39	JP27-06000-000	assistance frame	1	
40	JP27-00009-000	short shaft	2	
41	JP27-03000-000	outer frame	1	
42	5206-00008-000	lock nut	2	M8
43	JP22-00017-000	circlips	2	
44	5901-13002-000	o ring	4	φ13*2
45	JP22-00006-000	oil hose	2	
46	JP27-00008-000	connector	2	
47	JP27-00002-000	cylinder pin	4	
48	JP24-04005-000	pressure-compensate valve	1	3L
49	5603-16025-000	oil less bearing	4	φ16*25
50	JP27-04000-000	bottom	1	
51	JP27-00018-000	sliding plate	4	
52	5118-10012-000	screw	4	M10*12
53	JP27-00019-000	eye blot	4	
54	JP27-11002-000	short cover	1	
55	JP27-11100-000	angle cover	1	
56	JP27-11001-000	long cover	2	
57	5113-04020-000	screw	16	M4*20
58	JP27-PZG00-000	anchor	16	φ6*30
59	DK40CS	Pump case	1	

# 7. Wiring Diagrams



12	YV	unloading valve	1	DHF08-220 24V
11	FR	overload relay	1	NR2-25
10	MA	AC motor	1	ML802-4F 1PH/230V/50HZ/1.1KW
9	KM	AC contactor	1	NC1-0910-24VAC
8	QS	Power switch	1	LW26GS-20
7	SB2	down button	1	Y090
6	SB1	up button	1	Y090
5	FU2	fuse 2#	1	3.15A
4	FU1	fuse 1#	2	1.0A
3	FU	fuse	2	10A
2	TR	transformer	1	NDK (BK) -25 230V/24V
1	XP	plug	1	
No.	Symbol	Description	Qty.	Specification



#	Description	Specification
1	Oil tank	4.0 L
2	Mesh	250 cells
3	Gear pump	CBK-1.0
4	AC motor	1 ph 230V 1.1Kw
5	No-return valve	BZ01-04-007
6	Mesh	250 cells
7	Unloading valve	DHF08-220
8	Relief valve	BZ01-04-005
9	Hose	JP22-00006-000
10	FLOW CONTROL VALVE	IFC-6T-03
11	Cylinder	JP27-07000-000

## 8. Warranty

1. The warranty takes effect from the date stated on the purchase invoice and is valid for 12 months.
2. The warranty is non-transferable without a written statement of consent from your supplier.
3. No warranty claims can be made without the purchase invoice.
4. The warranty is only valid if the product is used according to the supplied user manual and solely for its intended purpose.
5. No modifications to the product are allowed.
6. The warranty does not apply in cases of improper use.
7. Shipping costs are not covered under the warranty policy.
8. Repairs must be carried out exclusively by your supplier. Any repairs performed by third parties will void the warranty.
9. Repairs carried out during the warranty period will not extend the warranty's validity. However, a three-month warranty on the repair will be provided if the regular warranty period has expired.
10. Any required maintenance, as described in the user manual, must be performed on time.
11. Warranty claims can only be made at the point of sale where the product was purchased.

## 9. Logbook

<b>Name user:</b>		<b>Date Commissioning:</b>	
<b>Adress:</b>		<b>Motorcycle Lift Serial Number:</b>	
<b>Date</b>	<b>In order</b>	<b>Not in Order, Dismantling.</b>	<b>Signature</b>



# EG-verklaring van overeenstemming - Declaration of conformity – EG- Konformitätserklärung - Declaration de conformite - Dichiarazion di conformita- Declaracion de conformidad

Wij, We, Wir, Nous, Noi, La empresa,

**Valkenpower BV, Industrieweg 4, 6051 AE Maasbracht, Nederland,**

verklaren geheel onder eigen verantwoordelijkheid dat het product

declare under our sole responsibility that the product

erklären in alleiniger Verantwortung, dass das Produkt

déclarons sous notre seule responsabilité que le produit

dichiariamo sotto la nostra responsabilità che il prodotto

declaramos bajo nuestra exclusiva responsabilidad que el producto

Type Model Type Type Tipo Tipo	Beschrijving Description Beschreibung Description Descrizione Descripción	Merk Brand Marke Marque Marca Marca
MLP60KE	Motorcycle Lift	Falco

Waarop deze verklaring betrekking heeft, in overeenstemming zijn met de volgende normen:

To which this declaration relates is in conformity with the following document:

Auf welches sich diese Erklärung bezieht, den folgenden Normen entspricht:

Auquel se réfère cette déclaration est conforme à le document suivant:

A cui si riferisce dichiarazione, corrisponde ai seguenti documenti:

Al que se refiere la presente declaración, corresponde a los siguientes documentos:

De machinerichtlijn, The Machinery Directive, Die Maschinenrichtlinie, La Directive, La direttiva sulle macchine, La Directiva sobre máquinas:

**2006/42/EC**

Norm

**NEN-EN 1493**

Nederland, Maasbracht, 15-01-2025

Serienummer  
Serial number:

**Directeur Valkenpower**



B.A.H Valkenburg

Valkenpower BV, Industrieweg 4, 6051 AE Maasbracht, Nederland

